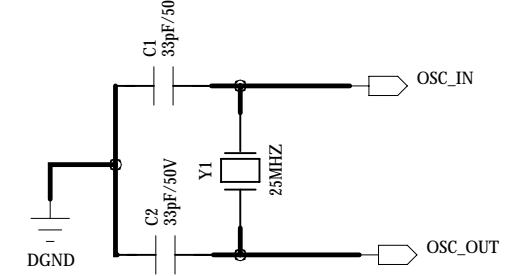
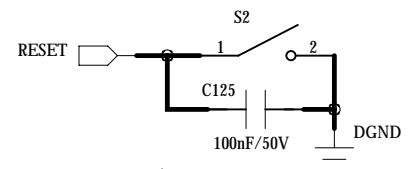
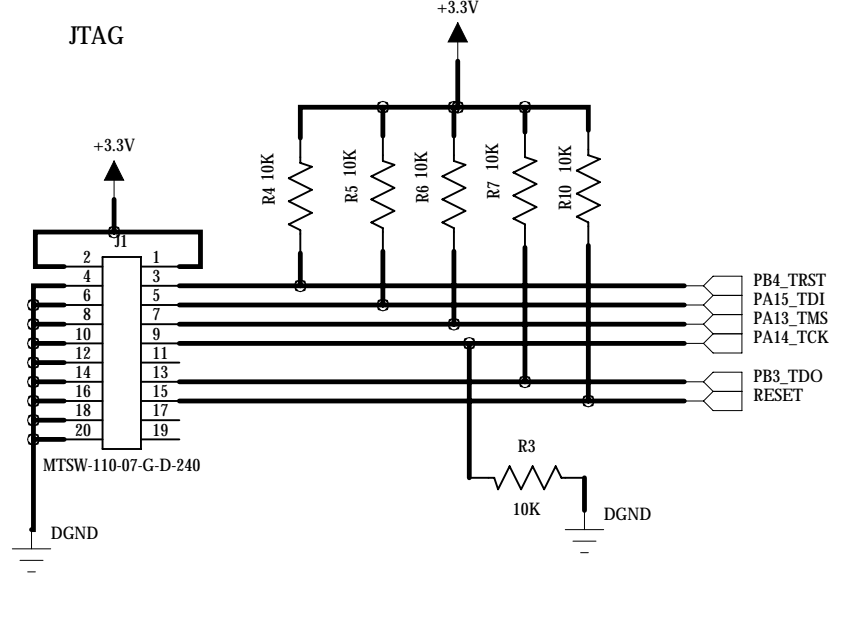
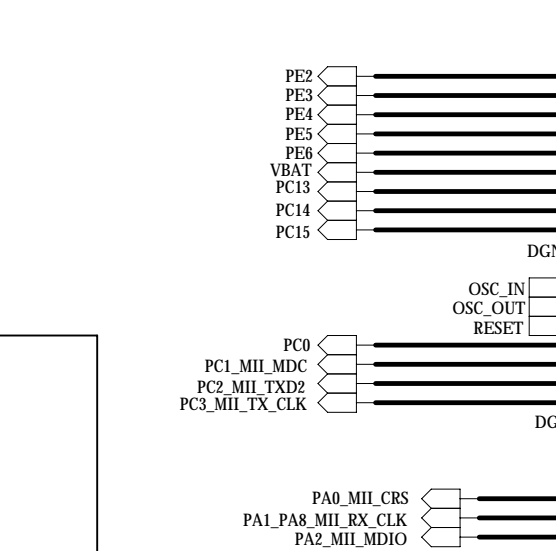
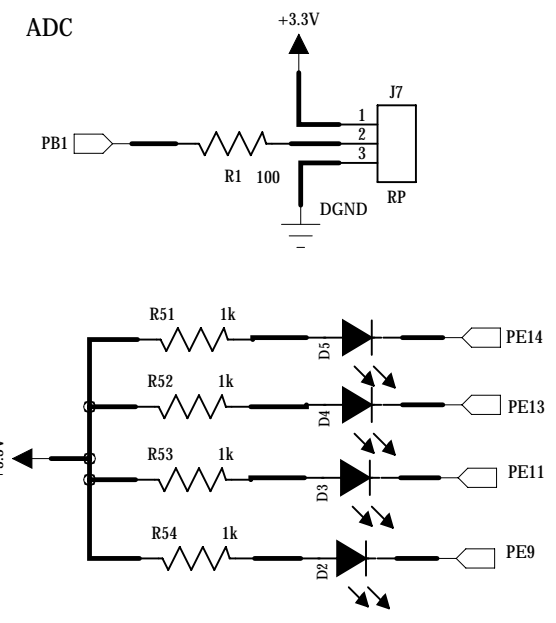
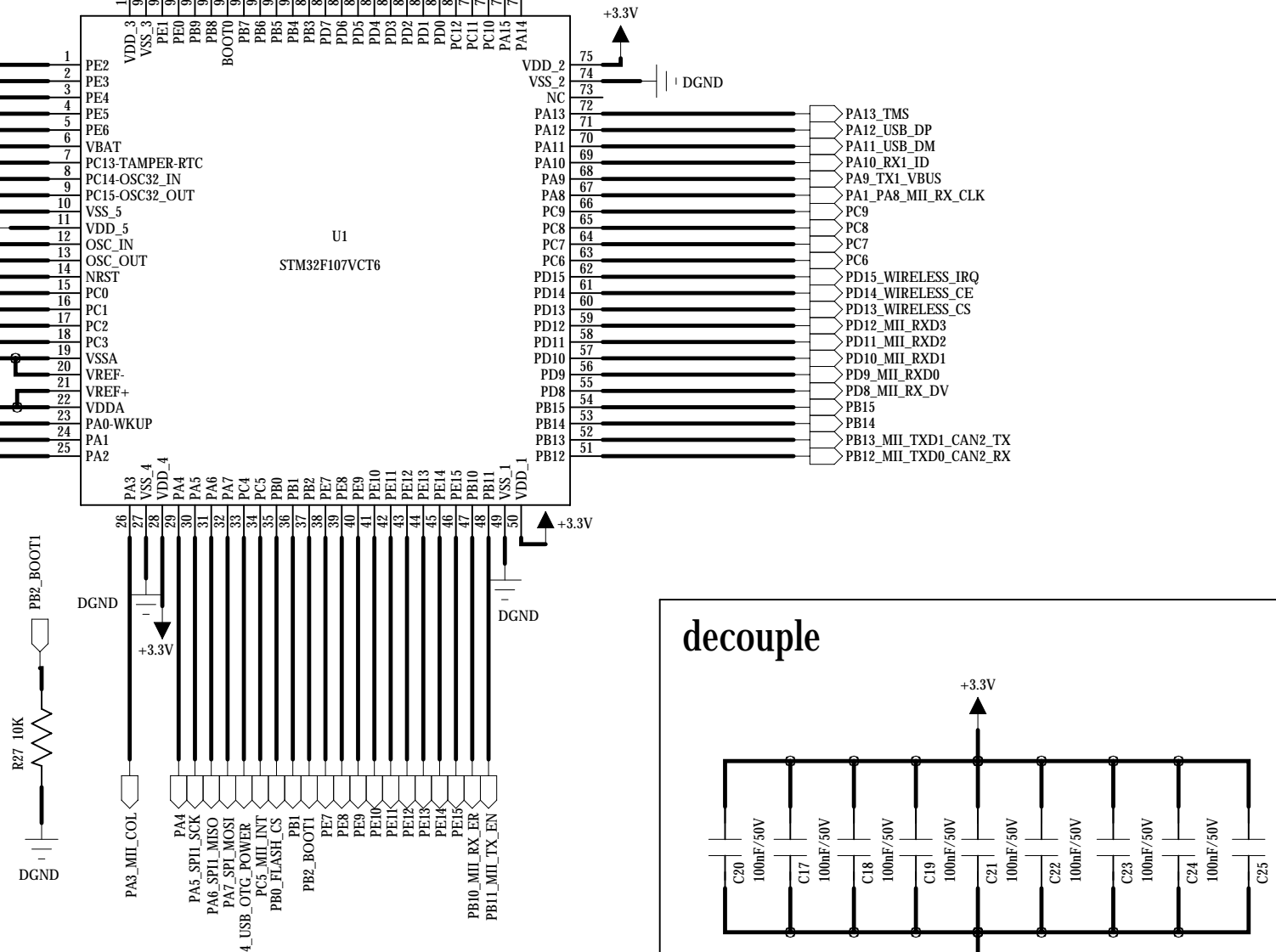
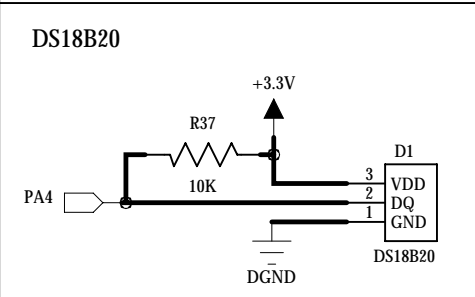
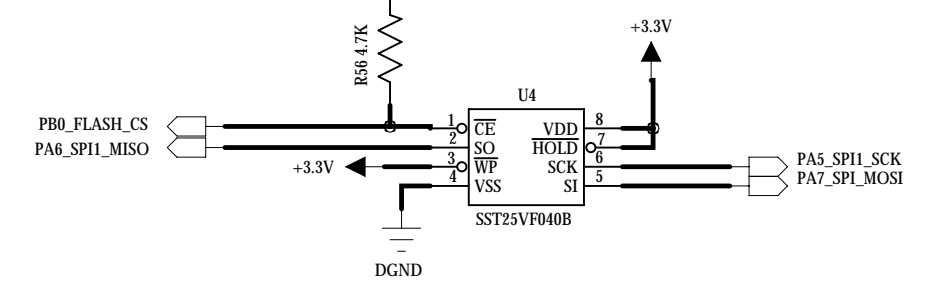
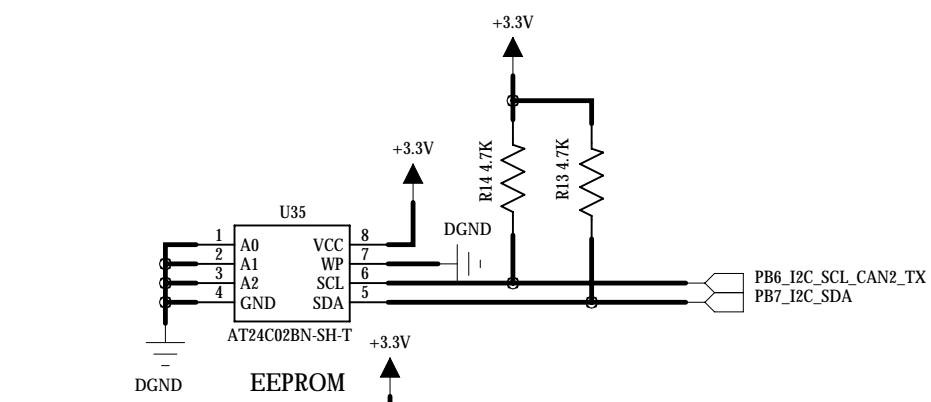


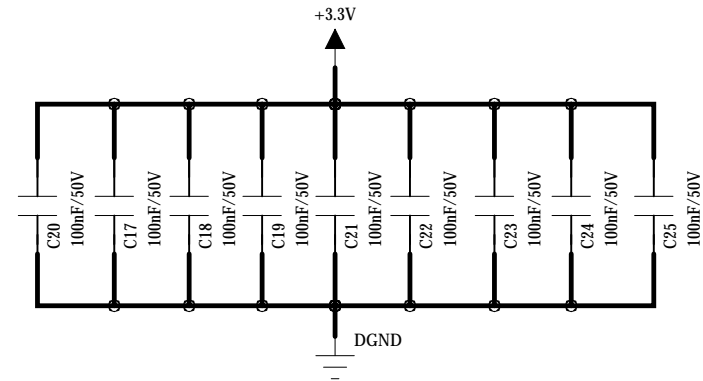
5V to 3.3V



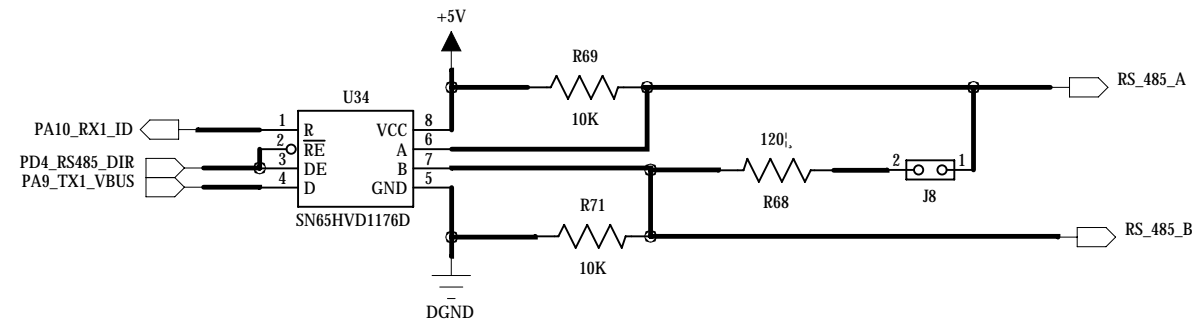
FLASH and EEPROM



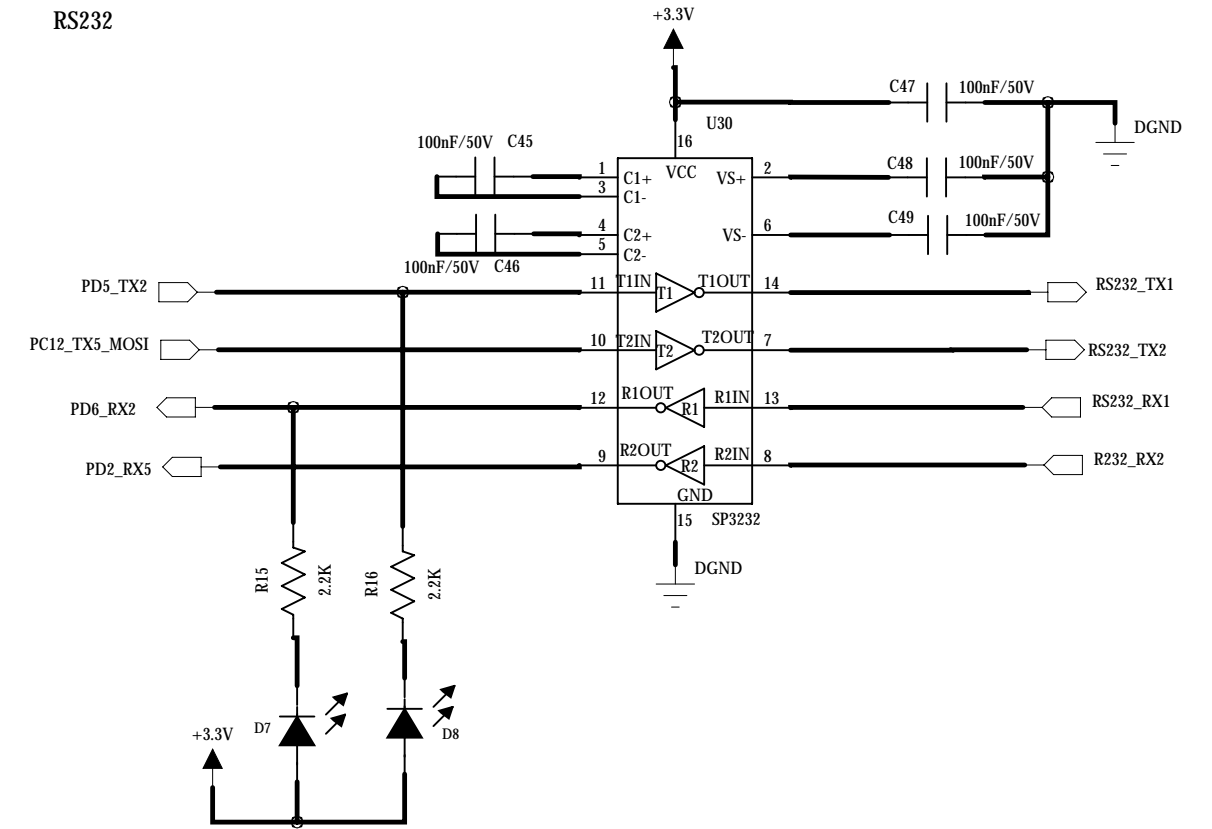
decouple



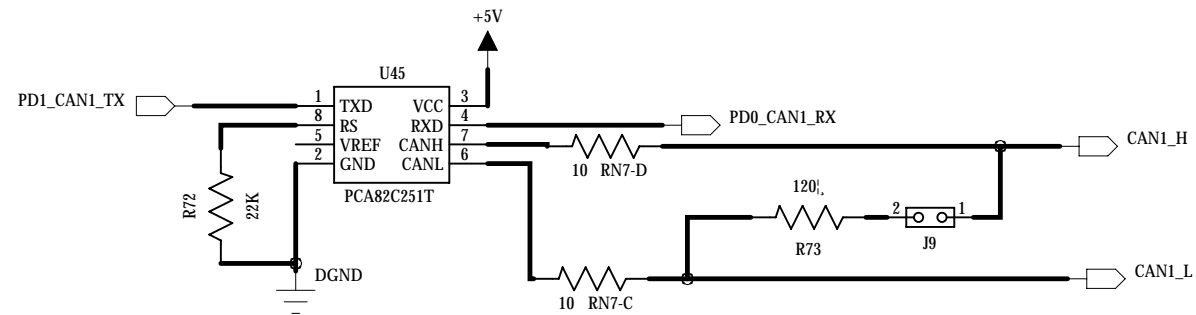
RS485



RS232

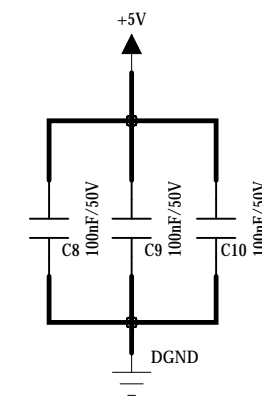
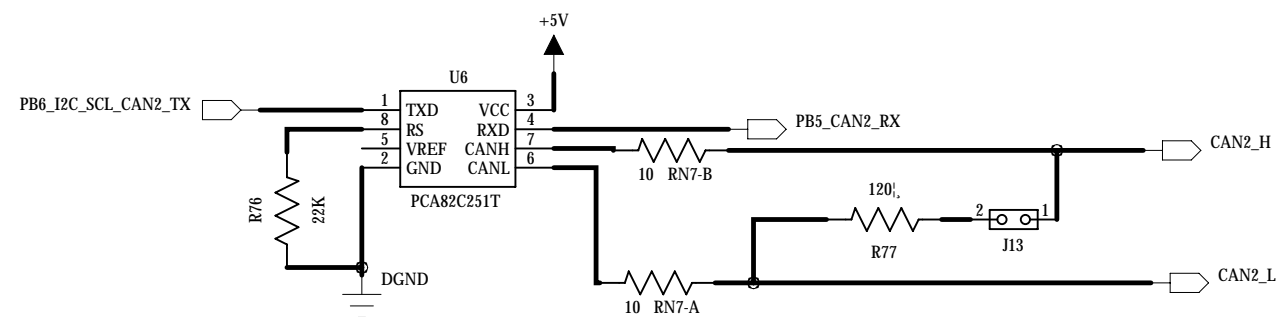


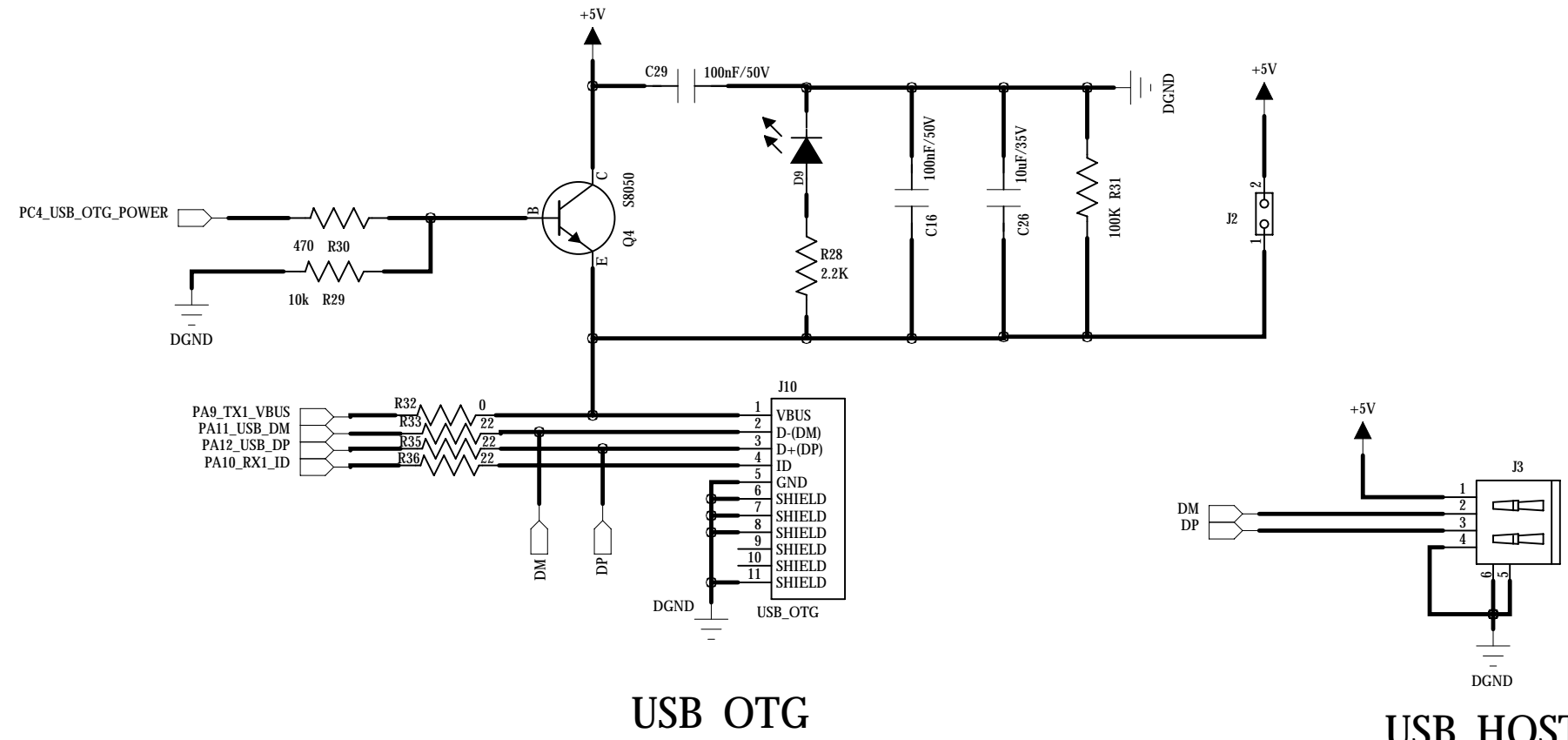
CAN1



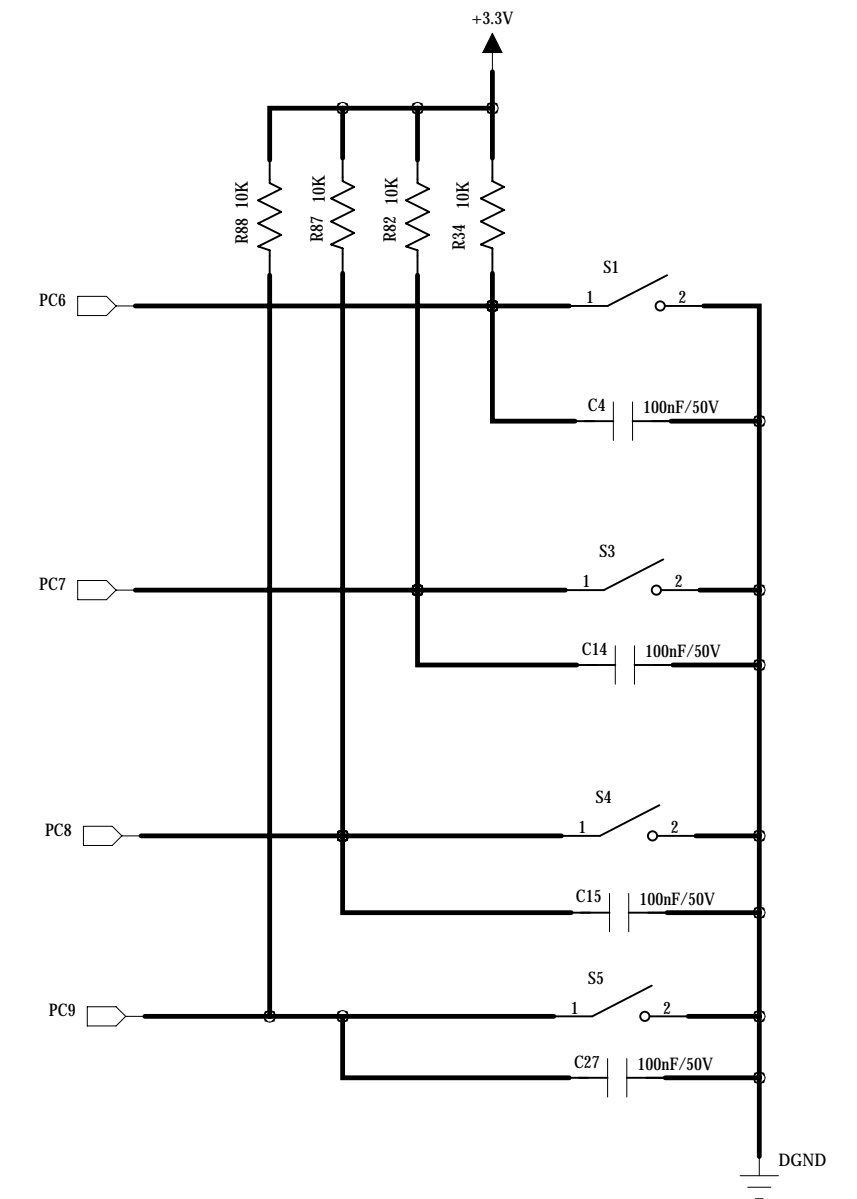
decouple

CAN2

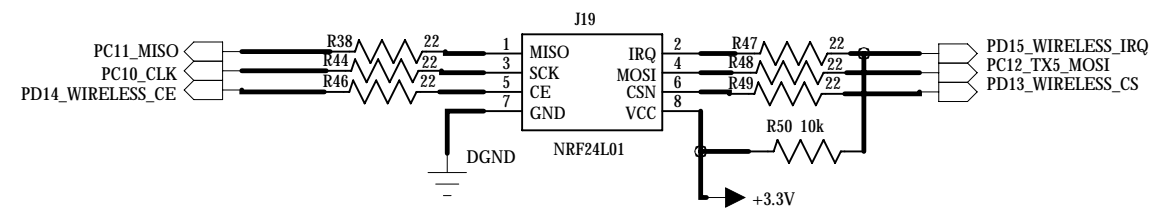




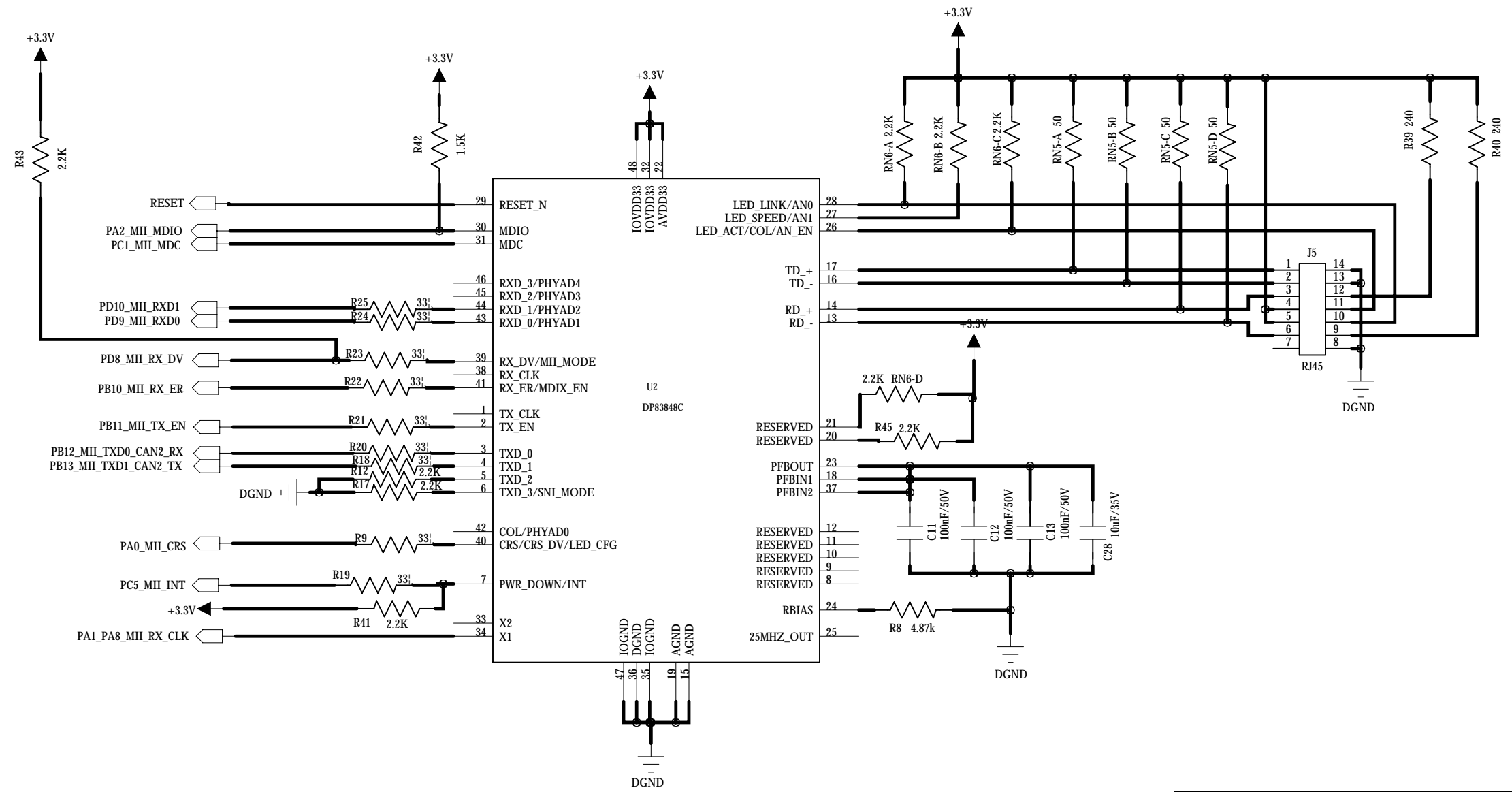
**KEY**



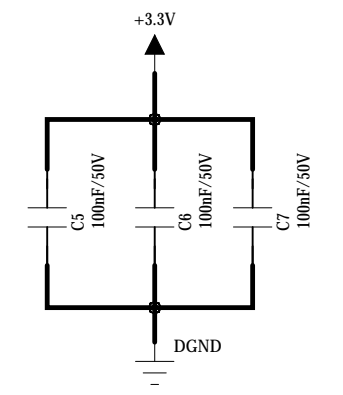
**NRF24L01**



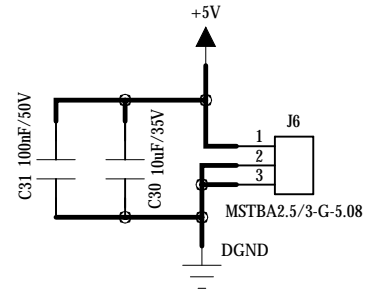
# ETHERNET



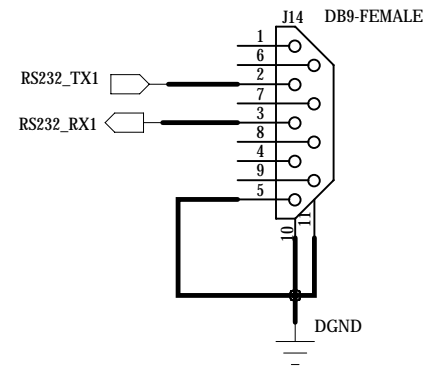
## decouple



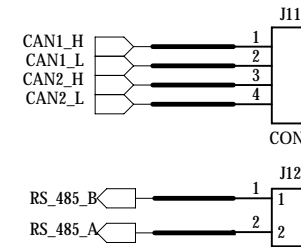
# POWER



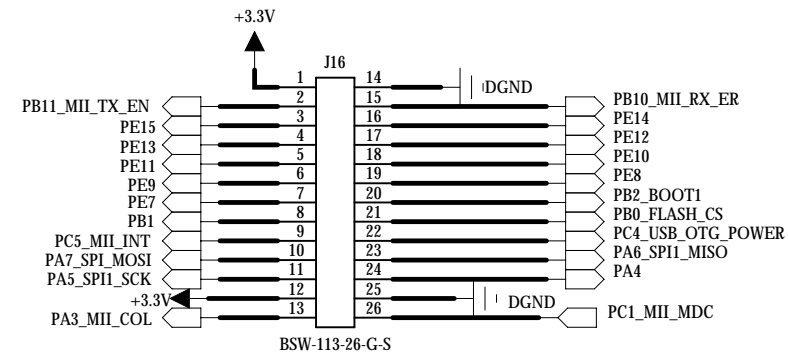
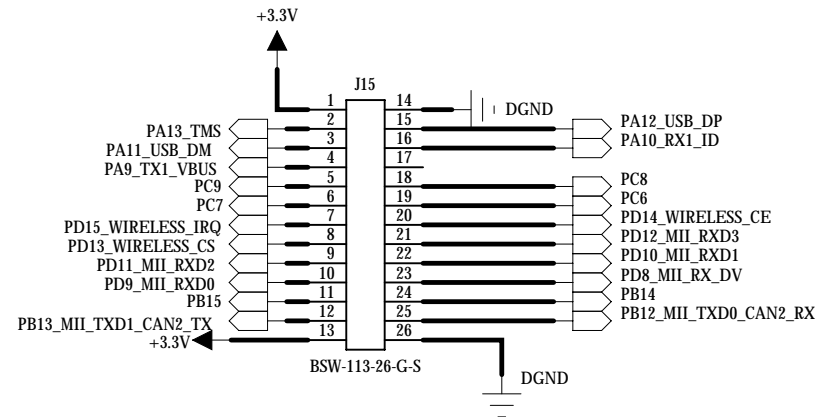
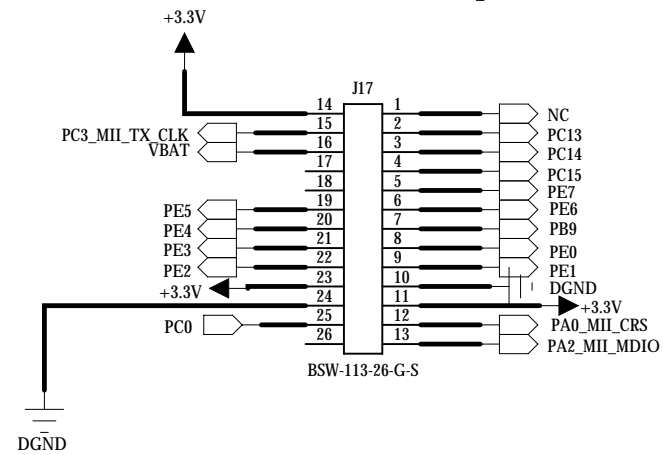
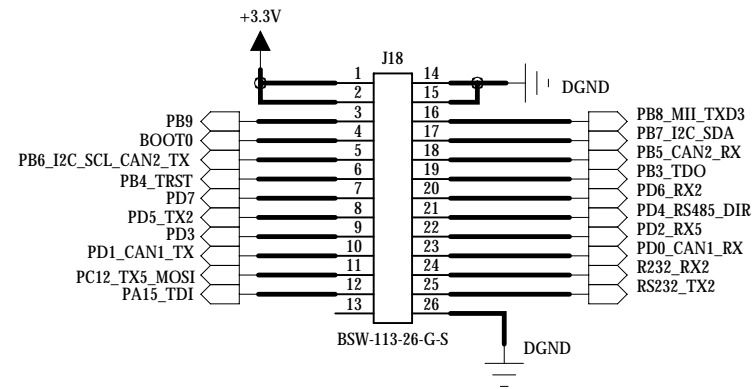
# DB9



# CAN RS485



# EXPAND IO



# HOLE

